



TANTUM

Motor lock

**Robust
Extreme
Power**



Made in the Netherlands

WWW.M-LOCKS.COM

M-LOCKS has been active on the market of high-security locks for over 30 years. When developing the Tantum motor lock we were determined to make a lock to be remembered for and have tried to "squeeze" all the accumulated competence into a single product. There would be no compromises in terms of material choices, functionality, its strength and even the look. It has taken a significant amount of time and effort until we reached the point where we were satisfied. Since then, Tantum has gone through rigorous testing procedures, is now certified or being certified by the world's foremost certification institutes and is ready to serve you. We're very confident that you will recognize and appreciate all the benefits that the Tantum lock brings to you.

Tantum motor lock can be combined with the following entry-units:

AL2010 / AL2020 / AL2030



EC1040

AL3030



Echo Basic

AL3015 (Alpha II LED)



Echo Advance

BR5010



EK5020 / EK5040 / EK5025 / EK5045

DE2010 / DE2020 / DE2030



ST4005 / ST4010 / ST4015 / ST4020



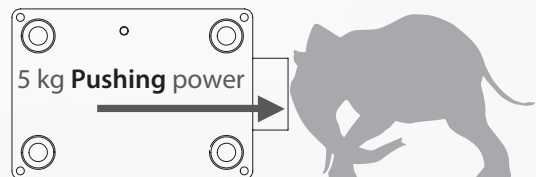
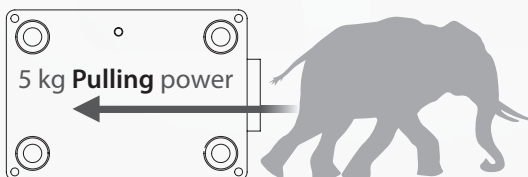
Robust Extreme Power

Each M-LOCKS lock stands for; security, strength and reliability. This is the basis of all our locks.

The Tantum motor lock is of a different order of magnitude within the current motor locks on the market.

It not only has a huge pulling force but also a huge pushing force. That makes it a unique robust lock with extreme power!

The equally unique price/quality ratio makes it a multi-purpose lock.



Reliable and easy to use

Of course an electronic safe lock must be reliable, that is basic requirement number one. All parts of the Tantum motor lock are made of metal, which makes it stronger and more durable.

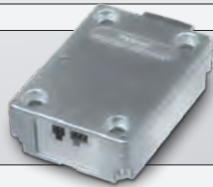
We produce Tantum, ourselves in the Netherlands. With a 100% final check, the reliability and security of the lock is guaranteed, good for you to know.

Strong and reliable is very important, but for the user the lock must also be easy to operate. Tantum is easy to program over the entry unit, so you no longer need a separate software package. That makes it easier for everyone.

Last but not least: the Tantum motor lock is also available in an anti-drill version, so with drill protection.

Certification

VdS	Klasse 2
SBSC	Class B [SS3880:2015]
A2P	Class B
EN 1300	Class B
IMP	Klasa wyrobu -B-

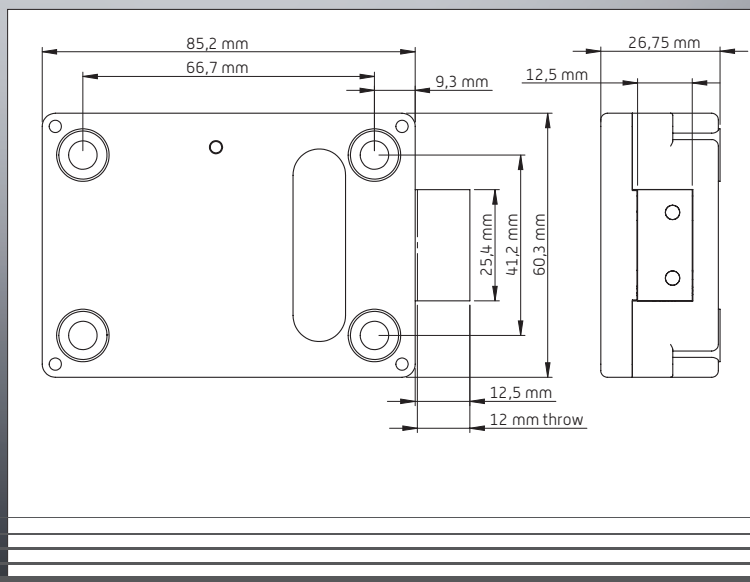


Article numbers

09100000	Tantum Basic
09101000	Tantum Basic anti drill
09200000	Tantum MLS
09201000	Tantum MLS anti drill

MECHANICS		
	Tantum Basic / Tantum Basic anti drill	Tantum MLS / Tantum MLS anti drill
Opening	Automatic	Automatisch
Locking	Automatic / Push to Close	Automatisch / Push to Close
Blocking element	Motor	Motor
Mounting dimensions	Standard	Standaard
Possible mounting positions	4	4

ELECTRONICS			
	Tantum Basic / Tantum Basic anti drill	Tantum MLS / Tantum MLS anti drill	
Power supply			
	9V Alkaline Duracell, Procell or Energizer block batteries		
Software	Codes	2 (6 digits)	Up to 10 (6 or 7 digits)
	Manager Codes	1	1
	User Codes	1	Up to 9
	Time delay / open window	01-99 min / 01-19 min	01-99 min / 1-19 min
	Battery low signal	Yes	Yes
	Volume adjustable	Yes	Yes
	Silent alarm	Yes	Yes
	Dual mode	-	Yes
	Audit 200 events	-	Yes
	Manipulation protection	5 minute lockout after 4 consecutive wrong codes	





Head office

M-LOCKS B.V.
Vlijtstraat 40
7005 BN Doetinchem
The Netherlands
Tel.: +31 (0)314 376 876
sales@m-locks.com

Sales office

M-LOCKS AB
Partihandlarvägen 47, 2 tr.
12044 Årsta
Sweden
Tel.: +46 (0)8 746 06 30
info@m-locks.se

Sales office South East Asia

MLOCKS South East Asia Sdn. Bhd.
57, Jalan SS 7/2
Kelana Jaya
47301 Petaling Jaya
Selangor
Malaysia
Tel.: +6017 486 3793
faiz.rais@m-locks.com

**Questions?
We're happy to help!**

Send an e-mail to:
sales@m-locks.com
or call us on
+31 314 376 876

**Our M-LOCKS team
is here for you!**