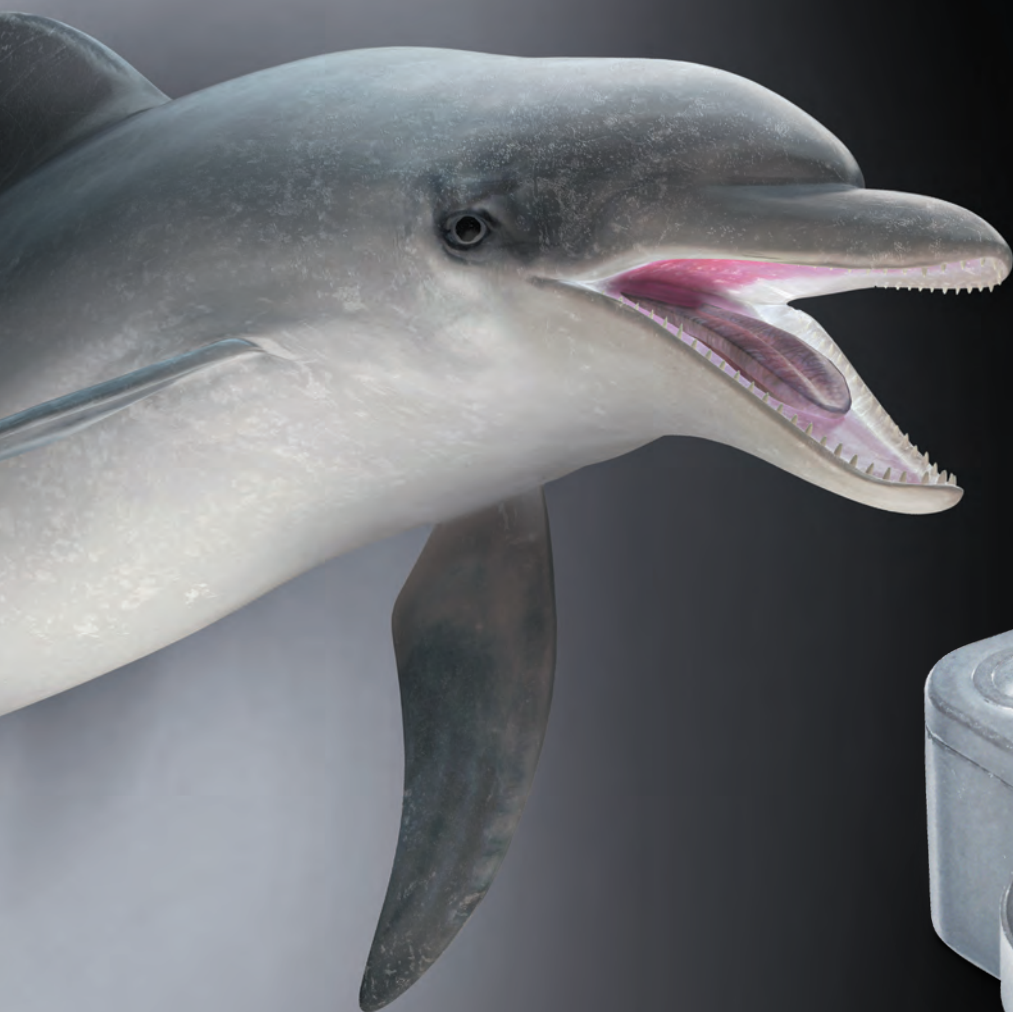




REVOBOLT



**Reliable
Effortless
Security**

Made in the Netherlands

WWW.M-LOCKS.COM

RevoBolt can be combined with the following entry-units:

AL2010 / AL2020 / AL2030



AL3030



AL3015 (Alpha II LED)



BR5010



DE2010 / DE2020 / DE2030



EC1040



Echo Basic



Echo Advance



EK5020 / EK5040 / EK5025 / EK5045



ST4005 / ST4010 / ST4015 / ST4020



Reliable effortless security

Each M-LOCKS lock stands for; security, strength and reliability. This is the basis of all our locks.

The new RevoBolt goes a step further in reliability, durability and ease of use on several fronts!

Patented blocking system

The all-new, patented blocking system is more robust and much less prone to mechanical failure, taking it a step further in reliability.

Extra locking of the bolt

A simple, but ingenious technical detail ensures that the bolt is additionally secured when closed. So even more solid!

Anti-drill bushing

A small detail, but certainly not unimportant. An anti-drill bushing prevents a lock from being drilled open through the keyhole or cablehole. An extra security for the user of the lock. A safe feeling!



Safe, silent and easy to use

Of course an electronic safe lock must be reliable, that is basic requirement number one.

We produce RevoBolt, ourselves in the Netherlands. With a 100% final check, the reliability and security of the lock is guaranteed.

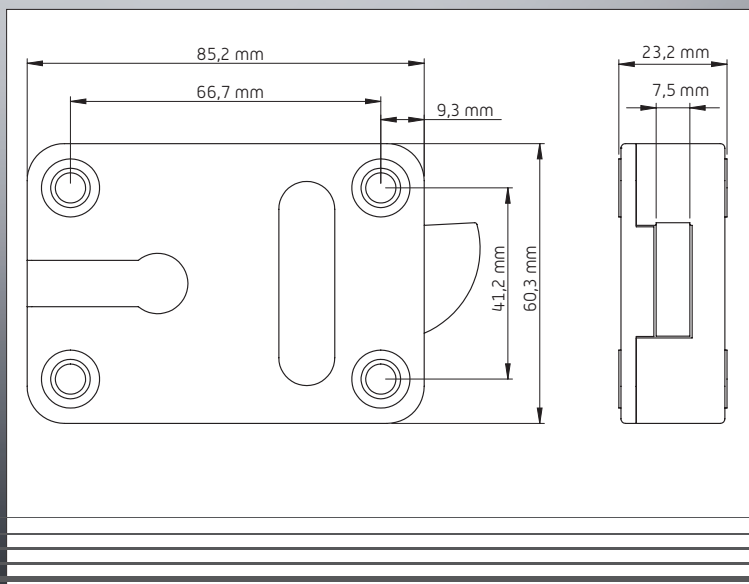
Strong and reliable is very important, but for the user the lock must also be easy to operate. RevoBolt is easy to program over the entry unit, so you no longer need a separate software package. That makes it easier for everyone. As an extra feature, a silent alarm can also be programmed on the Basic version of the RevoBolt.

Certification

VdS	Klasse 2
SBSC	Class B [SS3880:2015]
A2P	Class B
EN 1300	Class B
IMP	Klasa wyrobu -B-

Article numbers

08100000	RevoBolt Basic
08200000	RevoBolt MLS



MECHANICS		
	RevoBolt Basic	RevoBolt MLS
Opening	Half automatic	Half automatic
Locking	Automatic	Automatic
Blocking element	Motor	Motor
Mounting dimensions	Standard	Standard
Possible mounting positions	4	4

ELECTRONICS		
	RevoBolt Basic	RevoBolt MLS
Power supply	9V Alkaline Duracell, Procell or Energizer block batteries	
Software	Codes	2 (6 digits) / Up to 10 (6 or 7 digits)
	Manager Codes	1 / 1
	User Codes	1 / Up to 9
	Time delay / open window	01-99 min / 01-19 min / 01-99 min / 1-19 min
	Battery low signal	Yes / Yes
	Volume adjustable	Yes / Yes
	Silent alarm	Yes / Yes
	Dual mode	- / Yes
	Audit 200 events	- / Yes
	Manipulation protection	5 minute lockout after 4 consecutive wrong codes





Head office

M-LOCKS B.V.
Vlijtstraat 40
7005 BN Doetinchem
The Netherlands
Tel.: +31 (0)314 376 876
sales@m-locks.com

Sales office

M-LOCKS AB
Partihandlarvägen 47, 2 tr.
12044 Årsta
Sweden
Tel.: +46 (0)8 746 06 30
info@m-locks.se

Sales office South East Asia

MLOCKS South East Asia Sdn. Bhd.
57, Jalan SS 7/2
Kelana Jaya
47301 Petaling Jaya
Selangor
Malaysia
Tel.: +6017 486 3793
faiz.rais@m-locks.com

**Questions?
We're happy to help!**

Send an e-mail to:
sales@m-locks.com
or call us on
+31 314 376 876

**Our M-LOCKS team
is here for you!**